

SCREEN

Retractable Screen Window/Door System

Belüftung
verschluss

BELUSS TECH

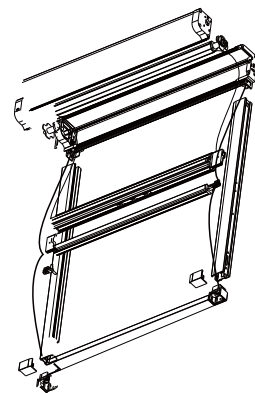
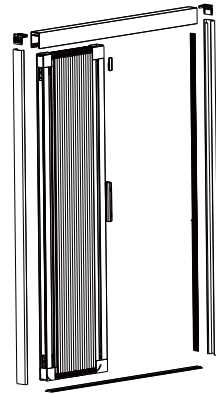
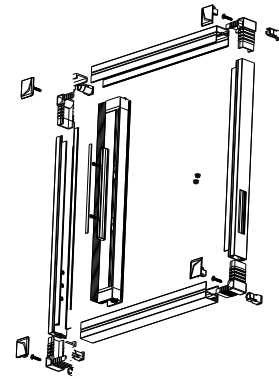
SCREEN WINDOW/DOOR SYSTEM

We have always been committed to the research and development of function, practical utility, and decoration of whole-house window screens. In pursuit of precise and detailed designs, as well as excellent and high-quality services, we provide diverse solutions and exceptional products.

In order to create a seamless integration between indoor and outdoor spaces, we have employed ultra-high transparent screen mesh that can make the screen virtually invisible. Moreover, we have used new DuPont nylon and ultra-durable piano steel springs to ensure better use experience and durability.

BELUSS TECH MOSQUITO SCREEN

Professional manufacturer of hidden screen



●
Screen System
Window/Door

1. Stop mosquitoes from entering room
2. Maintain indoor and outdoor air circulation
3. Maximize visual space

1 2

SCREEN DOOR

Rs8 PRO POSITIONING ROLLER SCREEN DOOR

RS6 POSITIONING ROLLER SCREEN DOOR

4.0T BARRIER FREE FOLDING SCREEN DOOR

S3.0 FOLDING SCREEN WINDOW/DOOR

3 4

SCREEN WINDOW

Rs4 POSITIONING ROLLER SCREEN WINDOW

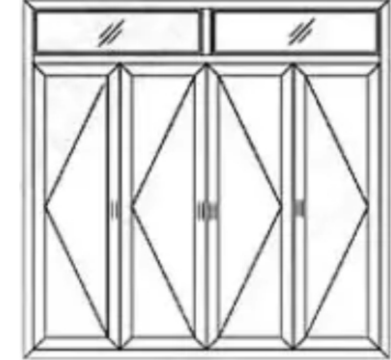
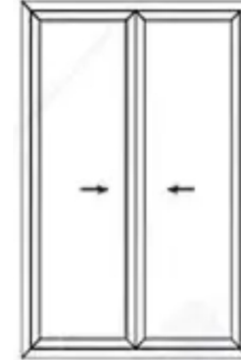
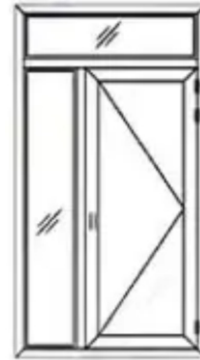
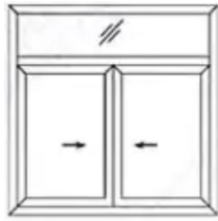
RS6 POSITIONING ROLLER SCREEN WINDOW

R2 POSITIONING ROLLER SCREEN WINDOW

S3.0 FOLDING SCREEN WINDOW



Product recommendations



RS4 ROLLER
SCREEN WINDOW

RS4 ROLLER
SCREEN WINDOW

RS6 ROLLER
SCREEN WINDOW

RS4 ROLLER
SCREEN WINDOW

RS6 ROLLER
SCREEN WINDOW

S3.0 FOLDING
SCREEN WINDOW/DOOR

RS6 ROLLER
SCREEN WINDOW

RS6 ROLLER
SCREEN WINDOW

S3.0 FOLDING
SCREEN WINDOW/DOOR

RS6 ROLLER
SCREEN WINDOW

S3.0 FOLDING
SCREEN WINDOW/DOOR

4.0T BARRIER-FREE
FOLDING SCREEN DOOR

S3.0 FOLDING
SCREEN WINDOW/DOOR

R2 ROLLER
SCREEN WINDOW

R2 ROLLER
SCREEN WINDOW

S3.0 FOLDING
SCREEN WINDOW/DOOR

4.0T BARRIER-FREE
FOLDING SCREEN DOOR

RS8 PRO ROLLER
SCREEN DOOR SYSTEM

N1 NARROW
SCREEN WINDOW

4.0T BARRIER-FREE
FOLDING SCREEN DOOR

RS8 PRO ROLLER
SCREEN DOOR SYSTEM

R2 ROLLER
SCREEN WINDOW

P1 CASEMENT
SCREEN WINDOW

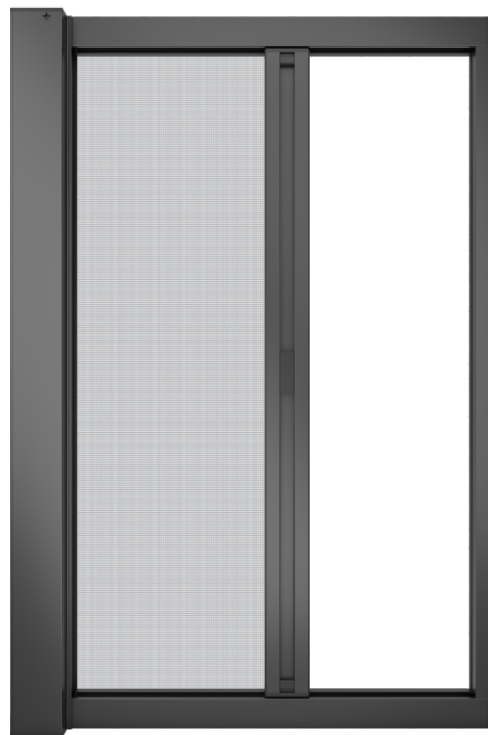
RS4 ROLLER

NEW 2024

SCREEN WINDOW

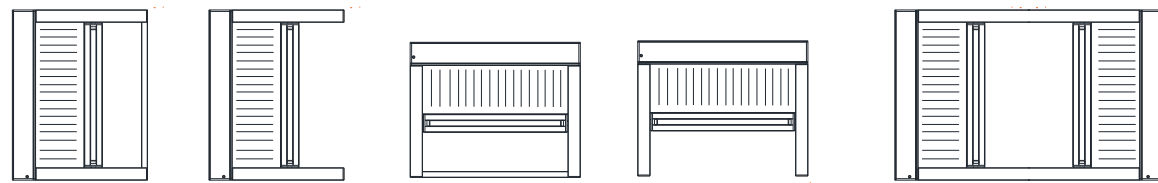
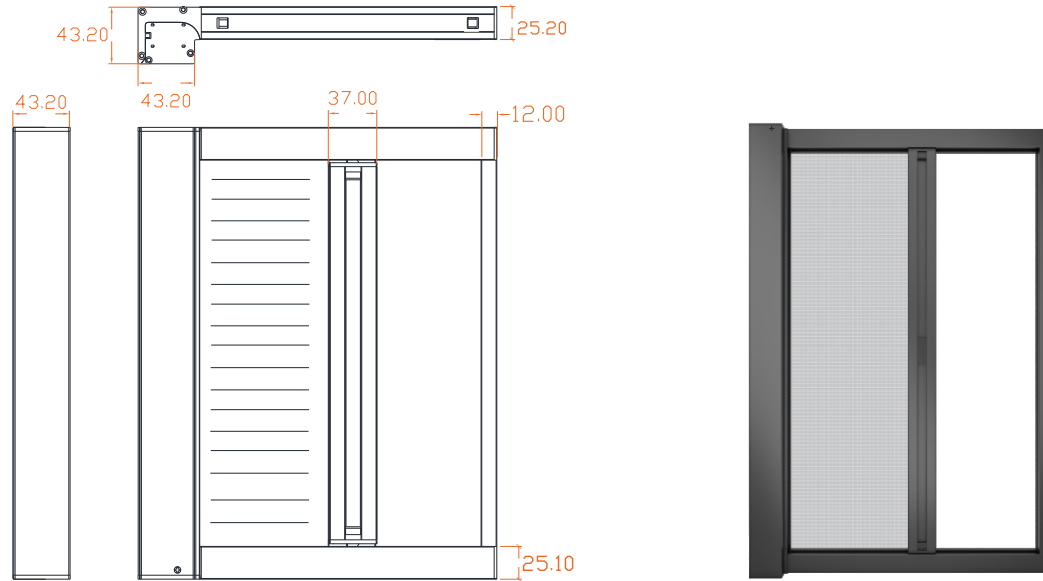


RS4 ROLLER SCREEN



- Simple and square appearance of the cassette, following minimalist design aesthetics.
- Ultra-transparent screen mesh, providing better ventilation and durability.
- Zipper-style windproof structure, with low noise and smooth operation.
- E-Line positioning balance design, ensuring convenient and safe usage.
- Detachable internal design, allowing for easy cleaning and maintenance.
- Suitable for left-sided and right-sided opening.





unit: mm	maximum height	Maximum width	Minimum height	Minimum width
Left and right pull	2600	800	450	450
up and down pull	800	2000	450	450
Double pull	2600	1600	450	450

If the required product exceeds or falls below the limit size, you can consult the product technical manager separately.

MESH

PET 24*24

PET material has a light transmittance of up to 94% and extremely high ventilation and light transmittance. Made by hot melt welding, with super strong and durable performance. Moderate pore size, completely isolating mosquitoes and insects

PET 48*48

PET material with ultra-fine pores, 100% completely isolating mosquitoes, willow catkins, and Pollen. Good ventilation and light transmission, made by hot melt welding, with high durability.

PRO 20*20

Fiberglass+PVC material has extremely high tear resistance, which can to some extent prevent Scratching of family pets. Good ventilation and light transmission, made by hot melt welding.

Aluminum

6063 T5 material has excellent corrosion resistance, wear resistance, heat resistance, and Mechanical strength. Using brand new raw materials, the material performance is more stable.

SPRING

High carbon piano steel is made of high carbon steel and has excellent tensile strength Compared to carbon steel, it has better elasticity and memory compared to toughness

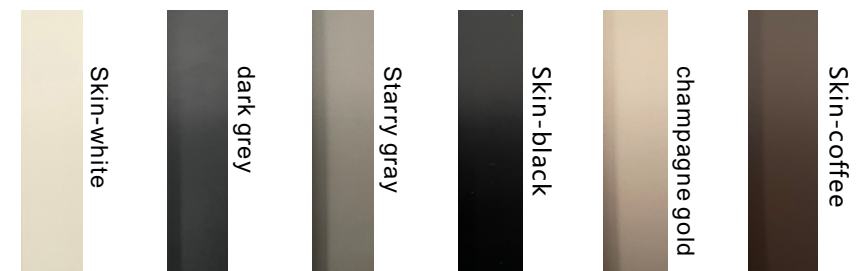
PARTS

The excellent mechanical properties, extremely high wear resistance, and plasticity of Pa66 material And weather resistance. New DuPont PA66+self-designed and developed, stable and reliable.

CODE

100% polyester fiber material is formed by multi strand weaving and tensioning to form 0.9Millimeter wire rope enhances wear resistance and tensile strength, with a low shrinkage rate.

COLOUR



details

RS6 ROLLER

NEW 2024

SCREEN WINDOW



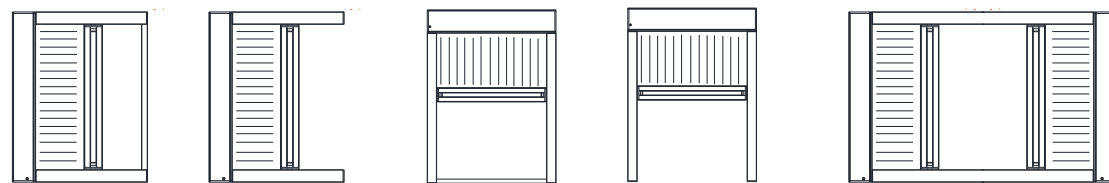
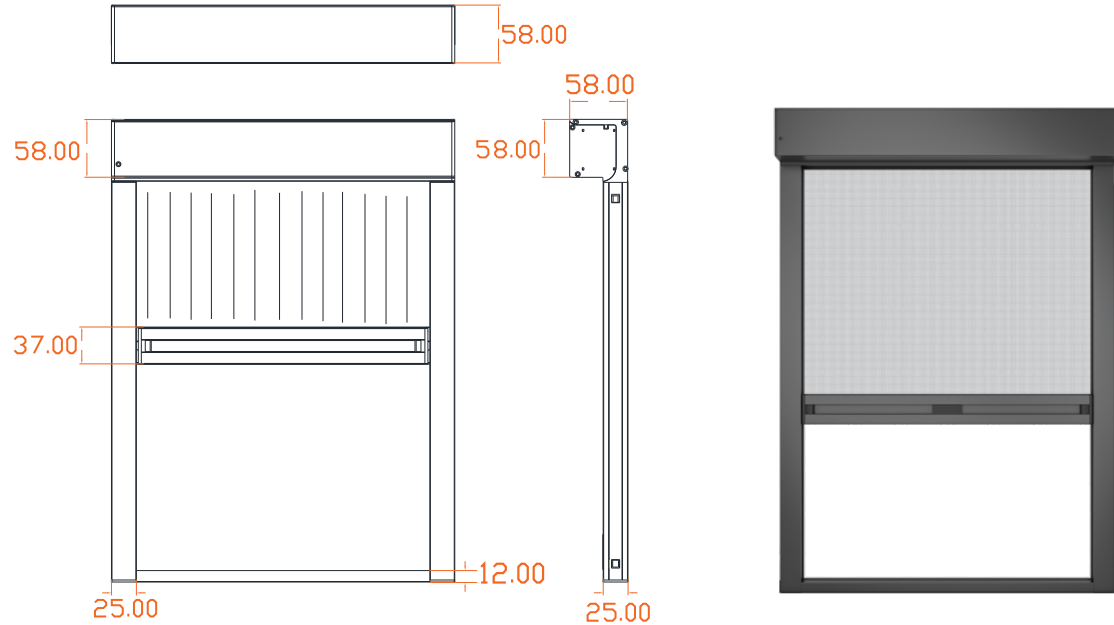
- Simple and square appearance, following minimalist design aesthetics.
- Ultra-transparent screen mesh, providing better ventilation and durability.
- Zipper-style windproof structure, with low noise and smooth operation.
- E-Line positioning balance design, ensuring convenient and safe usage.
- Separate design of the cassette and the roller, ensuring easy cleaning and maintenance.
- Suitable for top and bottom opening.



parameter

RS6 ROLLER

SCREEN WINDOW



unit: mm	maximum height	Maximum width	Minimum height	Minimum width
Left and right pull	2600	1650	450	450
up and down pull	1650	2000	450	450
Double pull	2600	3000	450	450

If the required product exceeds or falls below the limit size, you can consult the product technical manager separately.

MESH

PET
24*24

PET material has a light transmittance of up to 94% and extremely high ventilation and light transmittance. Made by hot melt welding, with super strong and durable performance. Moderate pore size, completely isolating mosquitoes and insects

PET
48*48

PET material with ultra-fine pores, 100% completely isolating mosquitoes, willow catkins, and Pollen. Good ventilation and light transmission, made by hot melt welding, with high durability.

PRO
20*20

Fiberglass+PVC material has extremely high tear resistance, which can to some extent prevent Scratching of family pets. Good ventilation and light transmission, made by hot melt welding.

Aluminum

6063 T5 material has excellent corrosion resistance, wear resistance, heat resistance, and Mechanical strength. Using brand new raw materials, the material performance is more stable.

SPRING

High carbon piano steel is made of high carbon steel and has excellent tensile strength Compared to carbon steel, it has better elasticity and memory compared to toughness

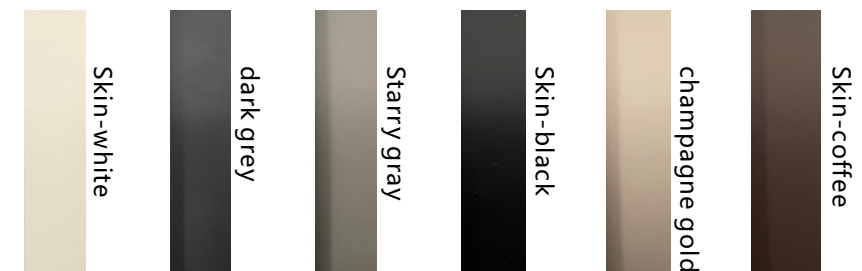
PARTS

The excellent mechanical properties, extremely high wear resistance, and plasticity of Pa66 material And weather resistance. New DuPont PA66+self-designed and developed, stable and reliable.

CODE

100% polyester fiber material is formed by multi strand weaving and tensioning to form 0.9Millimeter wire rope enhances wear resistance and tensile strength, with a low shrinkage rate.

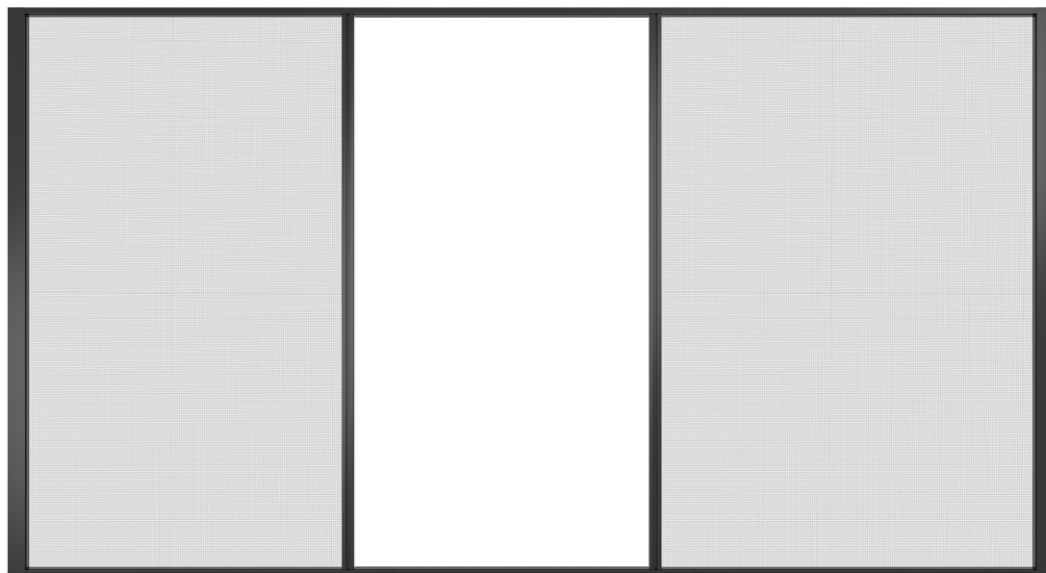
COLOUR



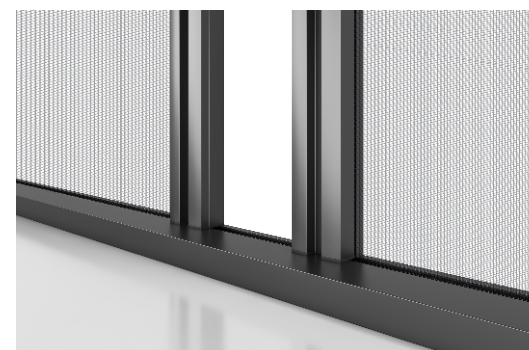
details

RS8 PRO ROLLER NEW 2024

SCREEN DOOR SYSTEM



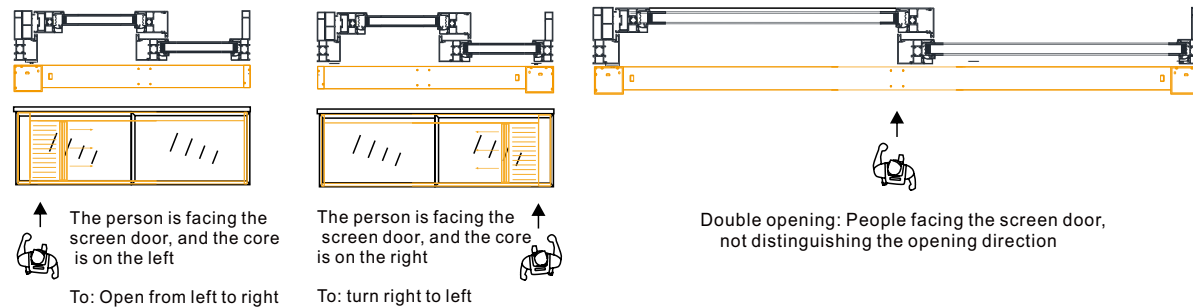
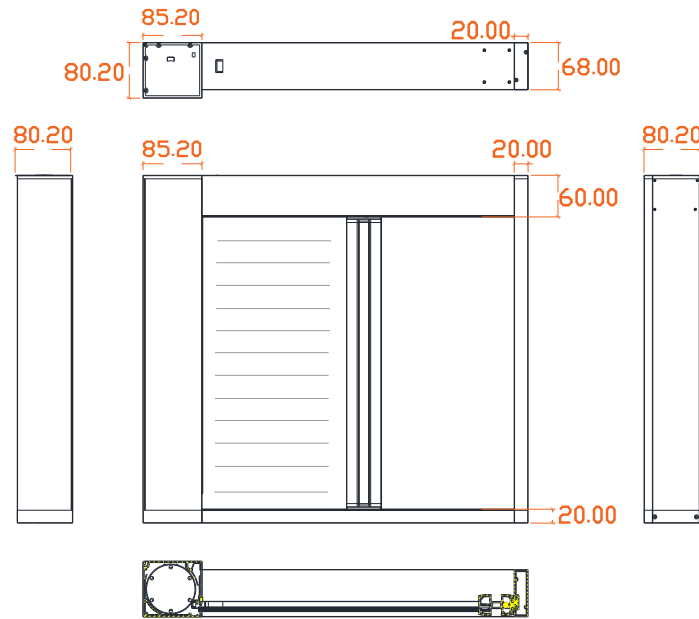
- Super-large opening of roller screen door, providing a clear and wide view.
- Pet-proof screen mesh, providing better ventilation and durability.
- Zipper-style windproof structure, with low noise and smooth operation.
- E-Line positioning balance design, ensuring convenient and safe usage.
- Maximum opening width of 7m and the maximum opening height of 3.5m.



parameter

RS8 PRO ROLLER

SCREEN DOOR SYSTEM



unit: mm	maximum height	Maximum width	Minimum height	Minimum width
single pull	3500	3500	800	800
Double pull	3500	7000	800	800

If the required product exceeds or falls below the limit size, you can consult the product technical manager separately.

MESH PRO 20*20

Fiberglass+PVC material has extremely high tear resistance, which can to some extent preventScratching of family pets. Good ventilation and light transmission, made by hot melt welding.

BEARING

High strength chromium steel material has high and uniform hardness and wear resistance, as well as highThe elastic limit has good self smoothness and super durability.

Aluminum

6063 T5 material has excellent corrosion resistance, wear resistance,heat resistance, andMechanical strength. Using brand new raw materials, the material performance is more stable.

SPRING

High carbon piano steel is made of high carbon steel and has excellent tensile strengthCompared to carbon steel, it has better elasticity and memory compared to toughness

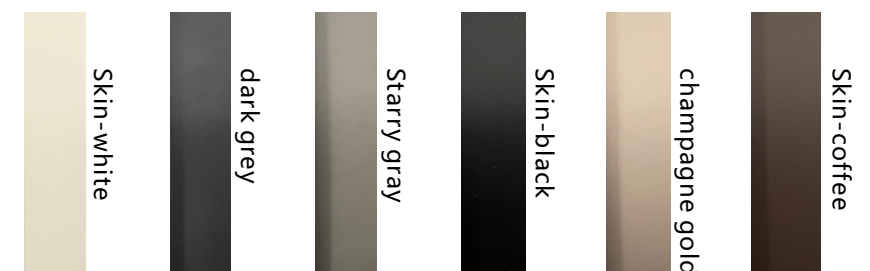
PARTS

The excellent mechanical properties, extremely high wear resistance, and plasticity of Pa66 materialAnd weather resistance. New DuPont PA66+self-designed and developed, stable and reliable.

CODE

100% polyester fiber material is formed by multi strand weaving and tensioning to form 0.9Millimeter wire rope enhances wear resistance and tensile strength, with a low shrinkage rate.

COLOUR



details

S3.0 FOLDING

SCREEN WINDOW/DOOR



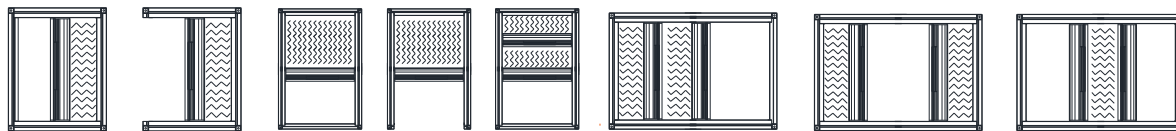
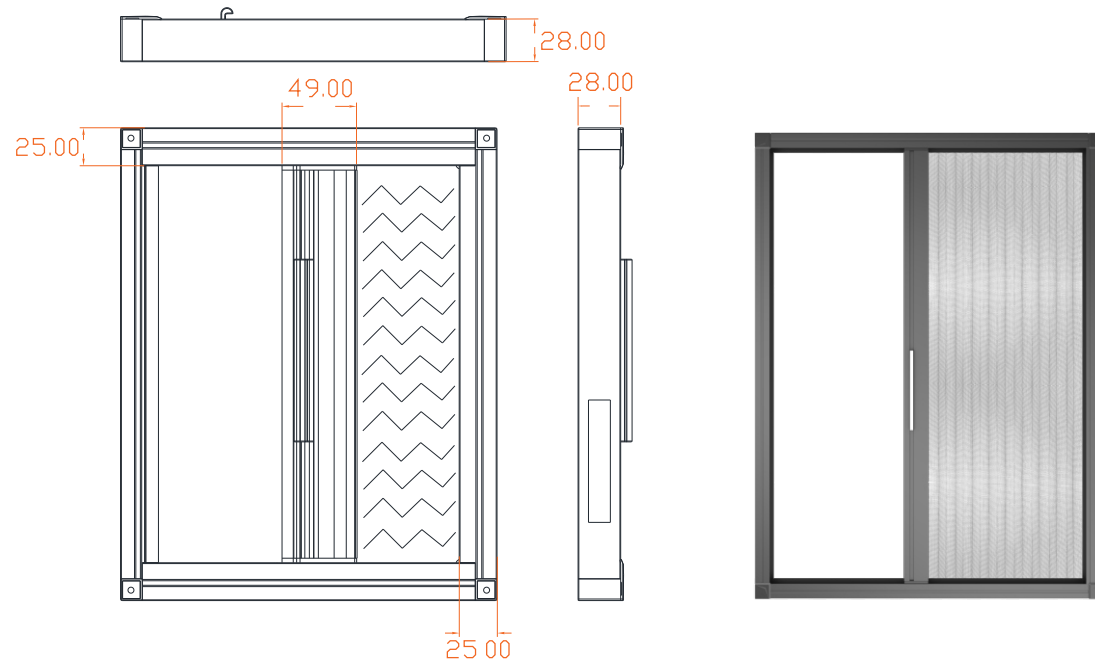
- Easy to install, suitable for any window type;
- The anti lift design of the mesh can resist strong winds;
- Equipped with real-time positioning function, easy to operate, and at will;
- Easy to disassemble structure design, mesh core separation, easy to clean.,
- Super breathable effect, circulating indoor air;
- Modern design combined with flat mesh, beautiful and practical;
- Design of automatic line adjustment structure.



parameter

S3.0 FOLDING

SCREEN WINDOW/DOOR



unit: mm	maximum height	Maximum width	Minimum height	Minimum width
Left and right pull	2600	1600	450	450
up and down pull	1400	1000	450	450
Single sided double pull up and down	1400	1000	450	450
Left and right unilateral double pull	2600	1600	450	450
Double pull left and right	2600	3000	450	450
Pull left and right freely	2600	1600	450	450

If the required product exceeds or falls below the limit size, you can consult the product technical manager separately.

MESH PP+PE 24*24

PP+PE composite material PP has super strong memory to ensure folding mesh and strength, while PE Having good UV resistance and weather resistance, composite makes it more stable and durable PET material has a light transmittance of up to 94% and extremely

Sunshade

Polyester fiber material has excellent thermal insulation performance with the function of covering up and blocking light, and the surface is waterproofProcessing, with good moisture resistance and easy cleaning. Not easily worn or deformed

Aluminum

6063 T5 material has excellent corrosion resistance, wear resistance,heat resistance, andMechanical strength. Using brand new raw materials, the material performance is more stable.

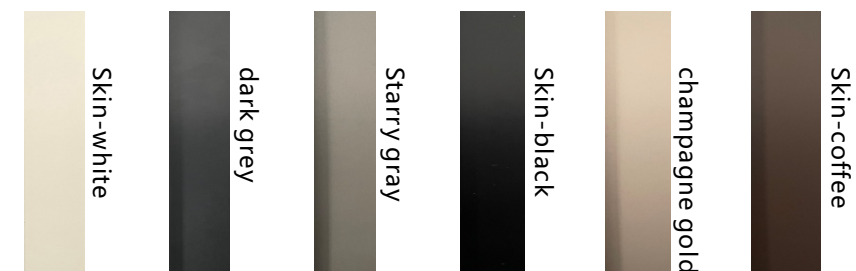
PARTS

The excellent mechanical properties, extremely high wear resistance, and plasticity of Pa66 materialAnd weather resistance. New DuPont PA66+self-designed and developed, stable and reliable.

CODE

100% polyester fiber material is formed by multi strand weaving and tensioning to form 0.9Millimeter wire rope enhances wear resistance and tensile strength, with a low shrinkage rate.

COLOUR



details

N1 NARROW

SCREEN WINDOW

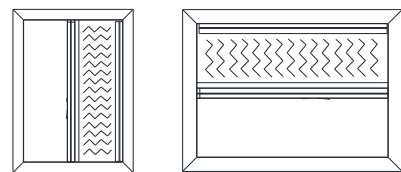
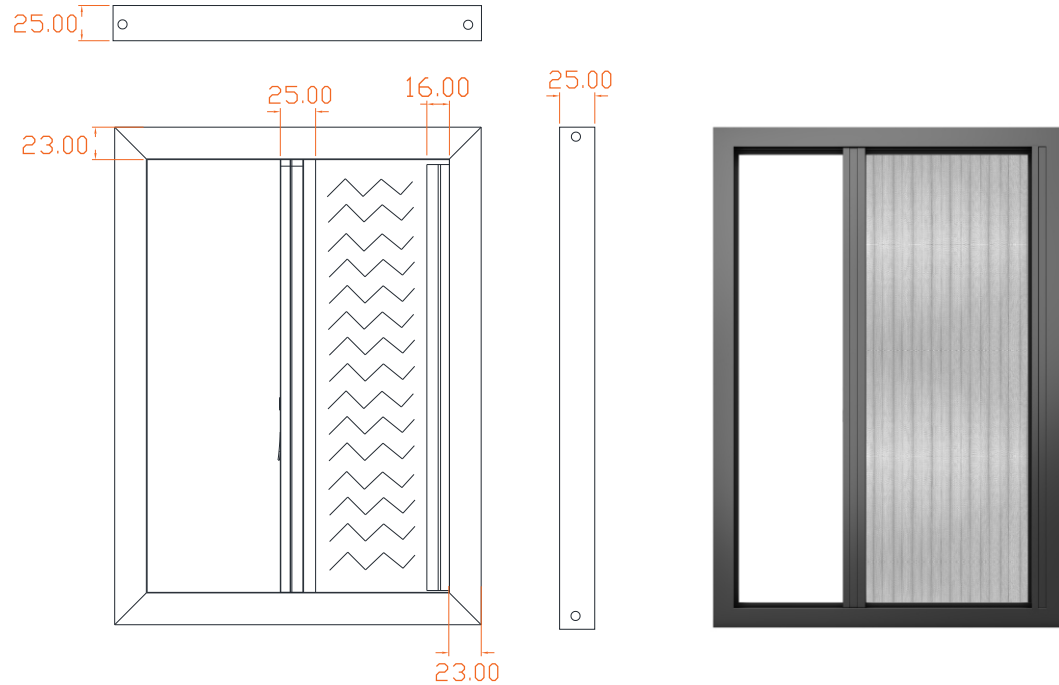


- Ultra-narrow frame with four-sided symmetrical design.
- Simple detachable design, ensuring more convenient cleaning and maintenance.
- E-line wire control technology, ensuring stable and non-tilting handle operation.
- 45-degree corner joints, offering integrated and aesthetic appearance.
- Calf leather handle, offering convenient and higher-end usage experience.
- Minimalist design, occupying little space.



parameter

N1 NARROW SCREEN WINDOW



unit: mm	maximum height	Maximum width	Minimum height	Minimum width
Left and right pull	1700	1000	450	450
up and down pull	1200	800	450	450

If the required product exceeds or falls below the limit size, you can consult the product technical manager separately.

MESH PP+PE 24*24

PP+PE composite material PP has super strong memory to ensure folding mesh and strength, while PE Having good UV resistance and weather resistance, composite makes it more stable and durable PET material has a light transmittance of up to 94% and extremely

Aluminum

6063 T5 material has excellent corrosion resistance, wear resistance, heat resistance, and Mechanical strength. Using brand new raw materials, the material performance is more stable.

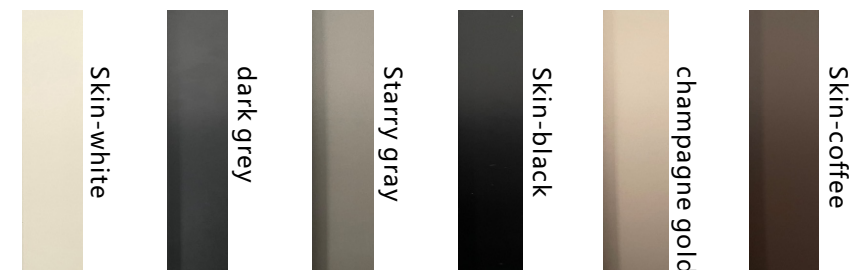
PARTS

The excellent mechanical properties, extremely high wear resistance, and plasticity of Pa66 material And weather resistance. New DuPont PA66+ self-designed and developed, stable and reliable.

CODE

100% polyester fiber material is formed by multi strand weaving and tensioning to form 0.9Millimeter wire rope enhances wear resistance and tensile strength, with a low shrinkage rate.

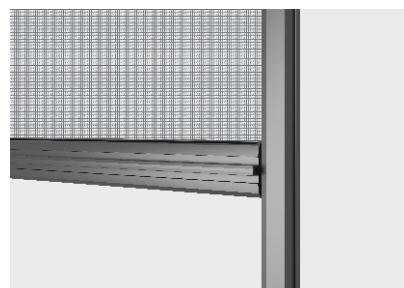
COLOUR



details

R2 ROLLER

SCREEN WINDOW

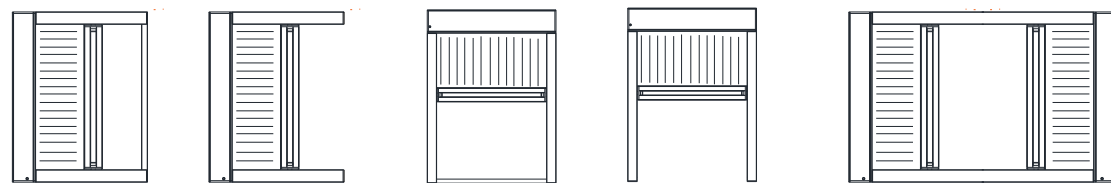
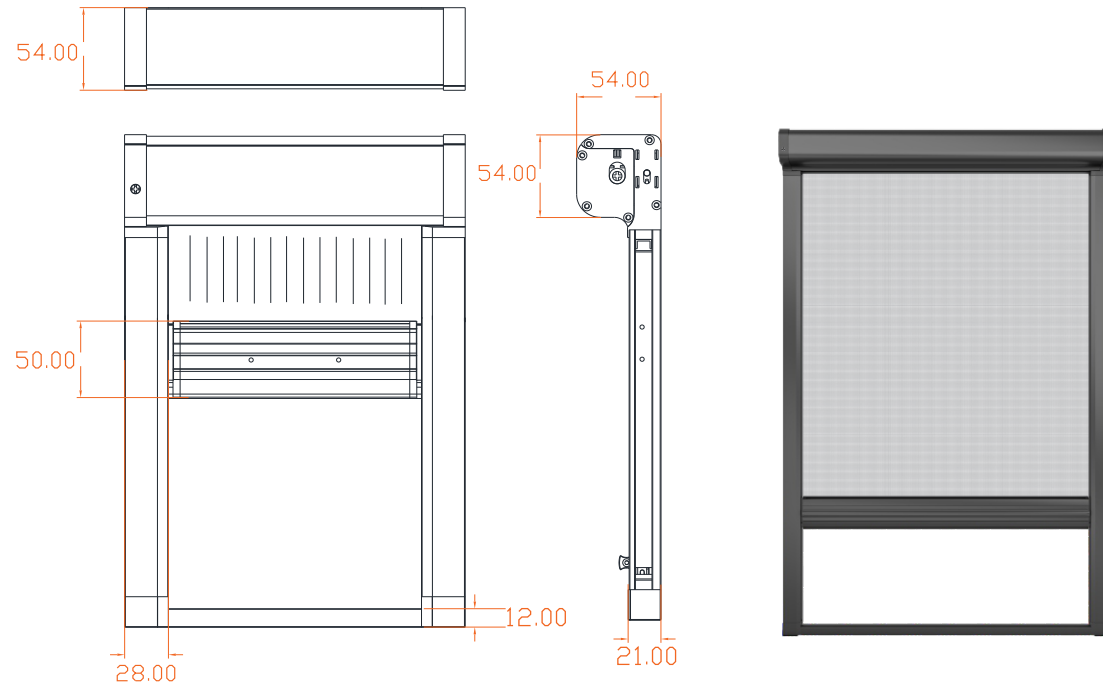


- Easy installation, suitable for any window types;
- Anti-lift design of screen mesh, resisting strong wind;
- Positioning function, ensuring convenient operation;
- Detachable structure design and separation of mesh and core, ensuring easy detaching and cleaning.
- Excellent ventilation effect, promoting indoor air circulation.
- Modern design with flat screen mesh, combining aesthetics and practicality.
- Structure design of automatic tensioning adjustment.



parameter

R2 ROLLER SCREEN WINDOW



unit: mm	maximum height	Maximum width	Minimum height	Minimum width
Left and right pull	2300	1600	450	450
up and down pull	1600	2000	450	450
Double pull	2300	2800	450	450

If the required product exceeds or falls below the limit size, you can consult the product technical manager separately.

MESH PET 24*24

PET material has a light transmittance of up to 94% and extremely high ventilation and light transmittance. Made by hot melt welding, with super strong and durable performance. Moderate pore size, completely isolating mosquitoes and insects

PET 48*48

PET material with ultra-fine pores, 100% completely isolating mosquitoes, willow catkins, and Pollen. Good ventilation and light transmission, made by hot melt welding, with high durability.

Aluminum

6063 T5 material has excellent corrosion resistance, wear resistance, heat resistance, and Mechanical strength. Using brand new raw materials, the material performance is more stable.

SPRING

High carbon piano steel is made of high carbon steel and has excellent tensile strength. Compared to carbon steel, it has better elasticity and memory compared to toughness

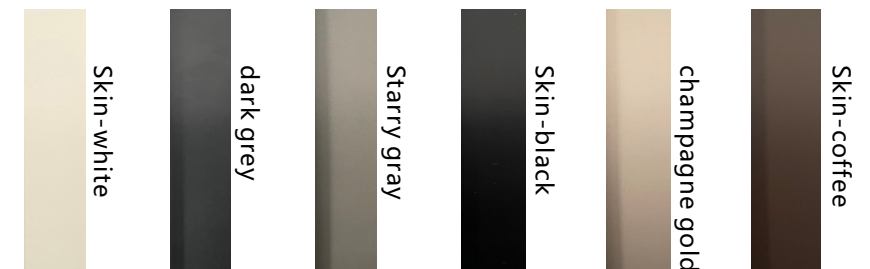
PARTS

The excellent mechanical properties, extremely high wear resistance, and plasticity of Pa66 material and weather resistance. New DuPont PA66+ self-designed and developed, stable and reliable.

CODE

100% polyester fiber material is formed by multi strand weaving and tensioning to form 0.9 Millimeter wire rope enhances wear resistance and tensile strength, with a low shrinkage rate.

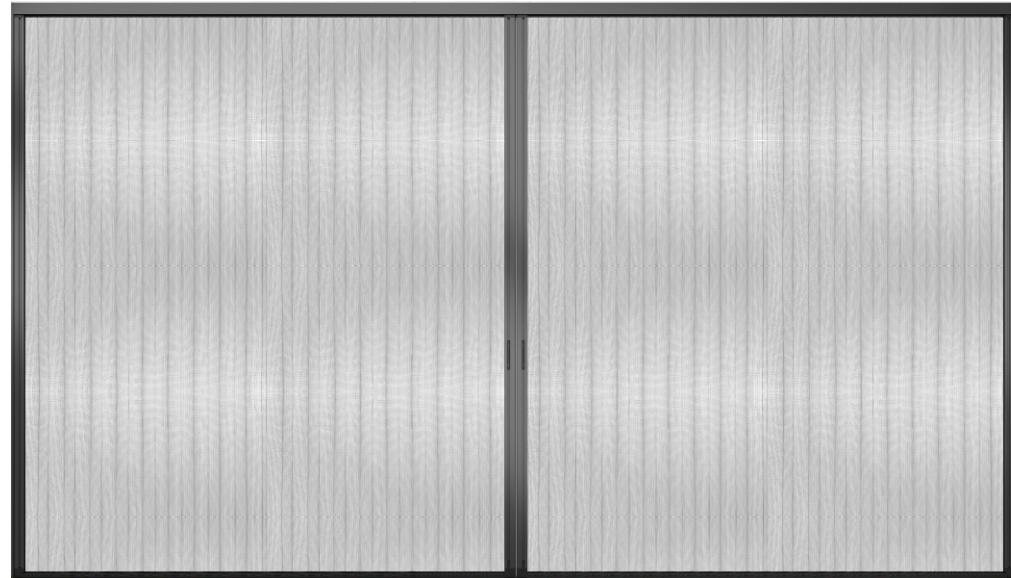
COLOUR



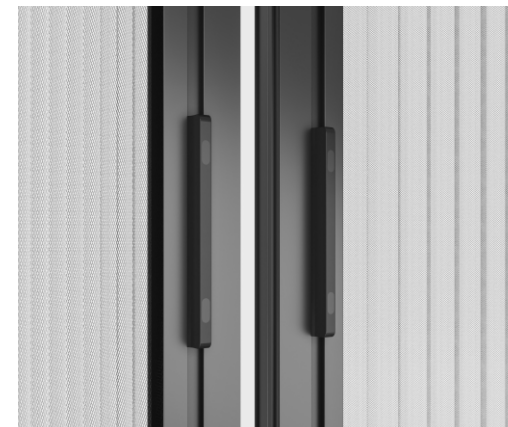
details

4.0T BARRIER-FREE

FOLDING SCREEN DOOR

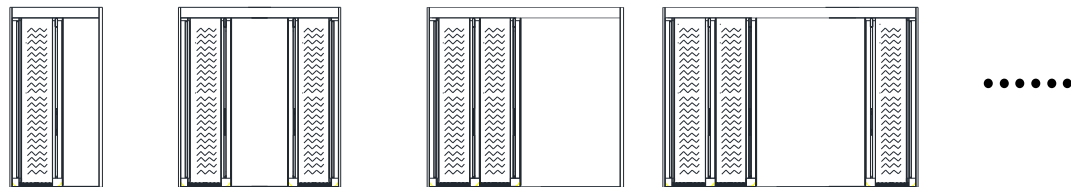
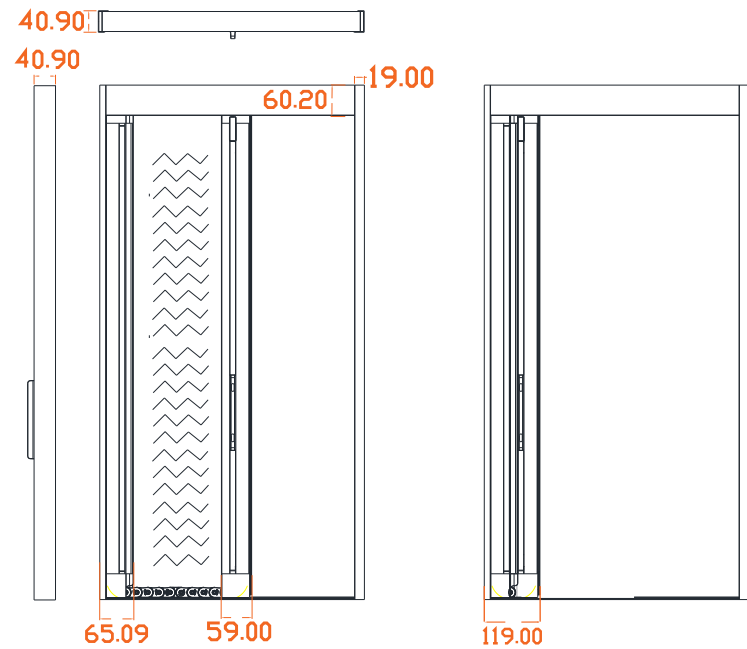


- Barrier-free low-track design, providing convenient access with no dead corners for cleaning.
- Tank chain ultra-low track design, ensuring smooth and low-noise operation.
- Snap-on connection door leaf, ensuring easy detaching and cleaning.
- Free choice of screen mesh and shade cloth, replacing the traditional door curtain cloth.
- 4.0 chain design with anti-derailment feature, providing smooth, quiet, and stable operation.
- High-density mesh with small mesh size, effectively blocking mosquitoes and catkins.



parameter

4.0T BARRIER-FREE FOLDING SCREEN DOOR



unit: mm	maximum height	Maximum width	Minimum height	Minimum width
single pull (1+0)	3500	1600	500	450
Double pull (1+1)	3500	3200	500	1000
Unilateral double pull (2+0)	3500	3200	500	1000
N pull (N+N)	3500	N*1600	500	1000

If the required product exceeds or falls below the limit size, you can consult the product technical manager separately.

MESH PP+PE 24*24

PP+PE composite material PP has super strong memory to ensure folding mesh and strength, while PE Having good UV resistance and weather resistance, composite makes it more stable and durable PET material has a light transmittance of up to 94% and extremely

Sunshade

Polyester fiber material has excellent thermal insulation performance with the function of covering up and blocking light, and the surface is waterproof Processing, with good moisture resistance and easy cleaning. Not easily worn or deformed

Aluminum

6063 T5 material has excellent corrosion resistance, wear resistance, heat resistance, and Mechanical strength. Using brand new raw materials, the material performance is more stable.

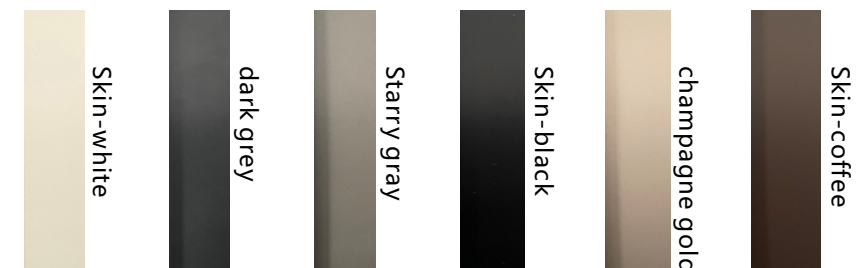
PARTS

The excellent mechanical properties, extremely high wear resistance, and plasticity of Pa66 material And weather resistance. New DuPont PA66+ self-designed and developed, stable and reliable.

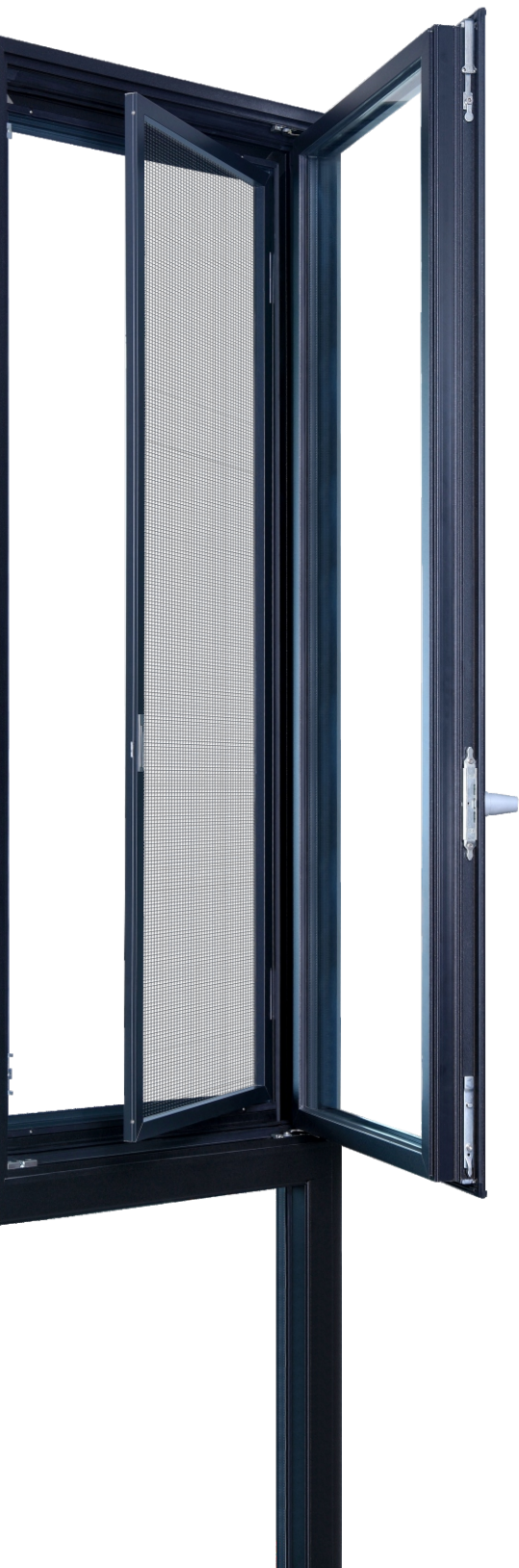
CODE

100% polyester fiber material is formed by multi strand weaving and tensioning to form 0.9Millimeter wire rope enhances wear resistance and tensile strength, with a low shrinkage rate.

COLOUR

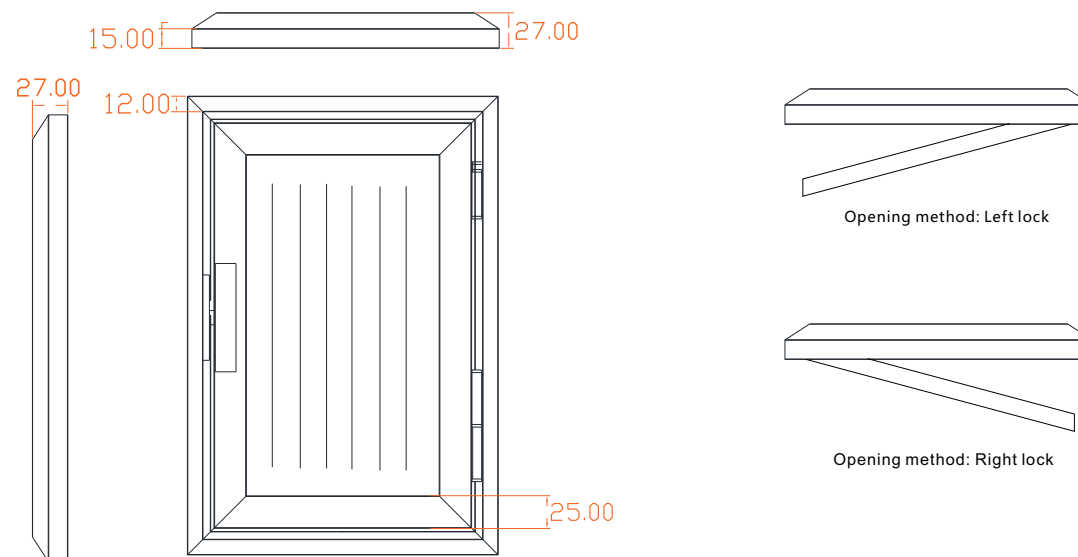


details



P1 CASEMENT SCREEN WINDOW

- Specifically designed screen mesh for inward-opening windows.
- Easier detaching and convenient cleaning.
- Small mesh size, preventing mosquitoes and rusting.
- Child safety lock, ensuring the safety of children.
- Minimalist design for enhanced aesthetic appearance.
- New assembly technology for a smoother mesh surface.
- PET mesh with strong shape memory.
- Superior performance of the mesh, never rusting.



unit: mm	maximum height	Maximum width	Minimum height	Minimum width
Unilateral opening	1700	1000	450	450

If the required product exceeds or falls below the limit size, you can consult the product technical manager separately.

MESH PET 24*24

PET material has a light transmittance of up to 94% and extremely high ventilation and light transmittance. Made by hot melt welding, with super strong and durable performance. Moderate pore size, completely isolating mosquitoes and insects

Aluminum

6063 T5 material has excellent corrosion resistance, wear resistance, heat resistance, and Mechanical strength. Using brand new raw materials, the material performance is more stable.

child lock

Excellent corrosion resistance, smoke resistance, and rust resistance of stainless steel material Children's lock design, equipped with a dedicated key, can be locked for protection when closed

details

BELUSS TECH
沛科科技

Material information

BELUSS TECH
Retractable screen



PET SCREEN PET24*24 PET48*48

High visibility insect proof mesh

Peike PET (24 * 24) insect proof screen window is a high visibility screen window that provides a clearer view and improves airflow And excellent insect prevention effect. Compared to others, you will find an improvement in optical flow and a clearer and sharper appearance. Homeowners can now enjoy more comfort and protection in all environments

Super durability

A key factor affecting the durability, wear resistance, and overall service life of the yarn mesh is the sealing or bonding method. We use The precision (carbon tube) heating equipment reaches the natural melting point, and the provided mesh screen not only surpasses all other competitors in performance and durability, but also Opponent's products, and do not use any harmful chemical adhesives to achieve the same effect. Over time, others The bonding method (such as coating) is not effective. When exposed to sunlight and elements for a long time, the mesh can be clearly seen The peeling or even damage of the

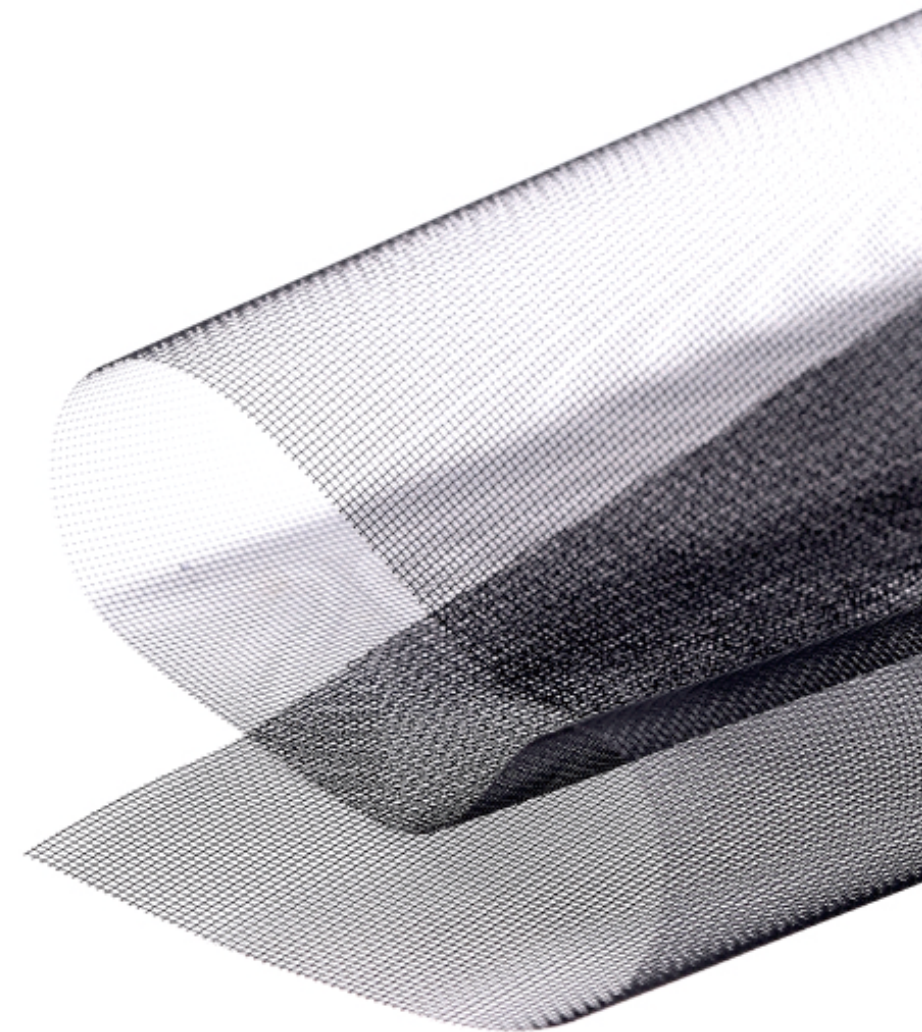
Dust accumulation and cleaning

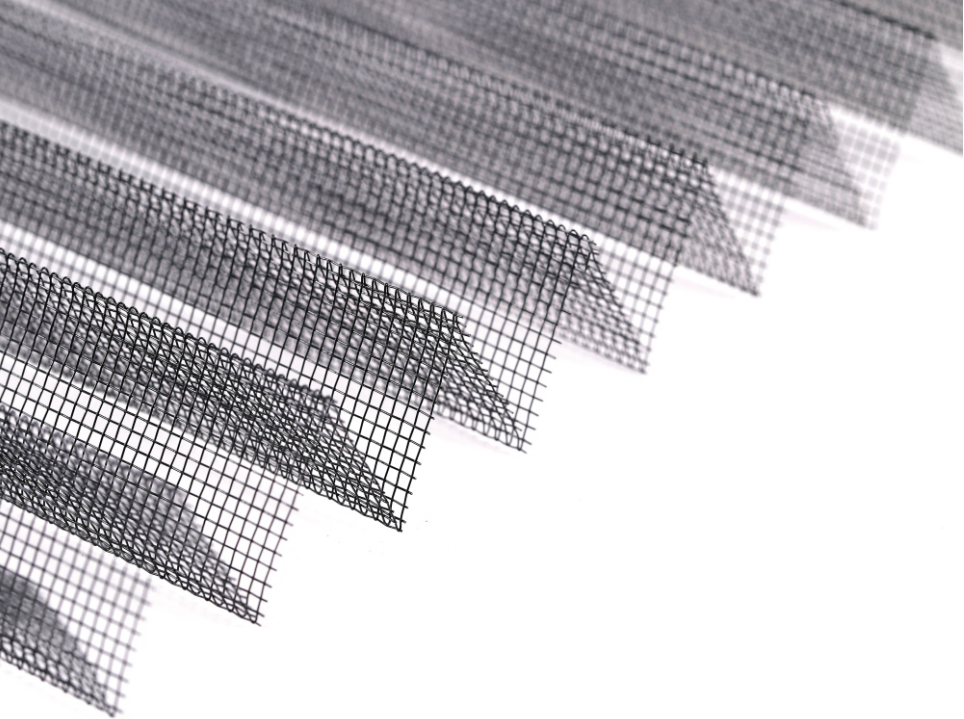
We use flat machine woven yarn to make the surface smooth and easy to clean, without accumulating dust. On the other hand, fine knitted yarn When enlarged, the surface of the material will show staggered pits, which often capture more impurities and are more difficult to clean.

Water absorption rate

Using yarn materials that are easily hygroscopic (hygroscopic), using only hot air cannot remove internal moisture. Due to the increased weight of water absorbed over a long period of time, wrinkled nets often Lose proper shape and elasticity. We use non hygroscopic resin and won't Absorb water into its molecular structure. This means that the folded network The material is always in a perfect balance state. Any collected information Moisture only exists on the surface of the grid and is easily absorbed Sufficient warm air flow to remove.

	BELUSS TECH PET	其他品牌	不锈钢网
基材	PET	PP或聚酯纤维	不锈钢
网丝融合工艺	编织热熔焊接	编织/树脂粘黏	编织
线径	0.13	0.2/0.22	0.32
透光率	94%	85%	80%
孔目	24*24	20*20	18*18
吸水率	0%	0.40%	0%
防生锈腐蚀	较好	较好	一般
恢复性	优秀且持久	一般	不能恢复





PP+PE SCREEN Folding screen

Better integration of PP+PE

We are the earliest manufacturer to use a specific mixture of PP+PE as a base material for insect repellent nets. One of them, and they have specific mesh dissolution technology, which helps us fold the organ. The rigidity and reciprocating flexibility of the middle product of the style yarn mesh have reached an ultimate balance. Also as the earliest manufacturer to use yarn and yarn hot melt welding technology, this has made our mesh performance is even more outstanding.

We offer black/gray mesh, but the lifespan of black mesh is better than that of gray mesh.

Highly innovative foldable insect net

BELUSS TECH PP+PE is an improved and innovative insect net with excellent folding ability. Memory, excellent weather resistance, achieving a perfect balance between plasticity and rigidity.

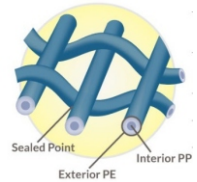
Choose a more suitable material for your mesh

Most accordion folding net manufacturers use fiberglass or PP as the folding type. The single substrate of insect repellent nets, although it provides stiffness and rigidity, has the disadvantage of the rebound effect of glass fiber during the folding and reciprocating process makes it difficult to close. PP mesh can also produce such effects when exposed to UV and high temperatures.



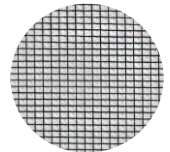
Special substrate (70% PP + 30% PE)

The core of PP ensures that the insect proof net has excellent rigidity and strength as a whole, but due to PP the overlapping memory that is easily damaged under UV and sun exposure, based on PP. Above, a layer of surface PE is fused.



The Art of Turning Yarn into Mesh

Each insect net is composed of thousands of mesh wires, compared to most woven ones, the bonding process is different. We have wire mesh fusion technology that is higher than the industry standard. This ensures that the entire network has better strength and is less prone to strangulation and so-called weathering.



	BELUSS TECH PP+PE	其他品牌
基材	聚丙烯+聚乙烯 (70%PP+30%PE)	PP或聚酯纤维
基材融合工艺	高温溶解	/
网丝融合工艺	编织热熔焊接	编织/树脂粘黏
线径	0.17	0.2/0.22
孔目	20*20	20*20
吸水率	0%	0.40%
防紫外线	较好	一般
往复开启力	平衡平顺	开启平顺合闭较紧
可塑性	优秀且持久	高刚性但易剥离

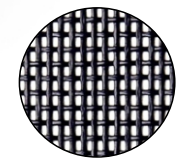
PRO+ SCREEN Anti pet net

Ultra high strength insect proof mesh

BELUSS TECH Pro+(18 * 18) insect screen window is an ultra high strength insect screen that can provide a clearer view, improved airflow and excellent insect control effects. It can also prevent pets from pulling, tearing, and damaging. It is an outdoor large space connection. Excellent choices for indoor spaces.

Super durable and tear resistant

BELUSS TECH Pro+ insect proof mesh is a durable ethylene coated polyester insect proof mesh, which is more sturdy and reliable than traditional insect proof mesh. It can resist tearing, puncture and other destructive phenomena in pets and high flow areas. The technology of hot melt and ultrasonic welding is used to make the mesh wire tightly connected together, while the internal fiberglass fibers are tightly tied together, giving the yarn mesh unique resistance to damage.



Dust accumulation and cleaning 🧼

Due to the use of vinyl coating, the surface of the mesh is relatively smooth and free of static electricity, making it less prone to dust. Simultaneously adopting high frequency ultrasonic hot melt welding reduces the number of holes between the mesh connections. When cleaning, we only need soap and water combined with a soft bristled brush. Clean the mesh surface and let it dry naturally before returning to its original state.

For your family and your pets

Over time, the cost of replacing standard insect screenings due to damage from pets or other animals may increase. As an additional benefit, pet screening can exclude most insects and minimize exposure to them to the greatest extent possible. Fleas and ticks, these ticks may cause health problems for your pet. By investing in sturdy and durable PRO InspectScreen, you and your pet can enjoy nature without letting it enter indoor homes.

Made in America

Polyester fiber

CODE



Stronger and more wear-resistant

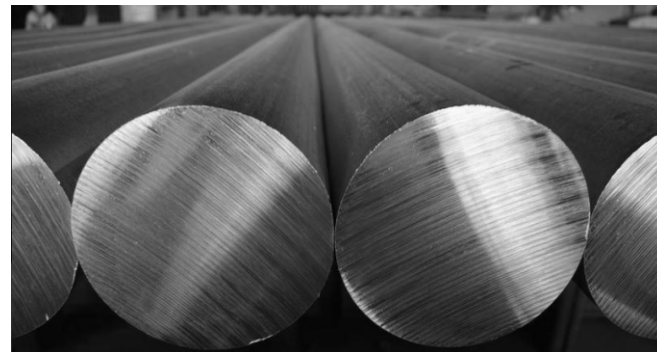
We use 100% Polyester rope, which is woven through multiple strands and stretched to a stroke of 0.9mm. Thick ropes are used to enhance their wear resistance and tensile strength.

Smaller scalability

The important factor in ensuring the smoothness of retractable screen doors in winter and summer is the length of the thread, as there is thermal expansion in the thread. In the case of cold shrinkage, we use pure polyester fibers as the substrate and leave no gaps when weaving, To reduce the elasticity of the rope and maintain long-term stability.

6063 T5

Aluminum



Harder shell

The entire series of BELUSS TECH products use 6063-T5 high-strength aluminum silicon magnesium alloy, and the hidden screen window does not require load-bearing. The general thickness in the market is 0.8-1.0mm. But in order to provide a more robust user experience, we are in the early stages of research and design. Persist in selecting aluminum thickness (1.0-1.4) that meets the needs of each product, and design different parts accordingly. Thickness to pursue a more reasonable design solution.

baby skin like surface

In terms of surface treatment technology, we choose a surface treatment process with higher requirements. This process can make the product. The aluminum material looks matte and feels as delicate as a baby's skin. Besides, we. All vertical spraying production lines are used to ensure that every part of the product has a flat paint surface.

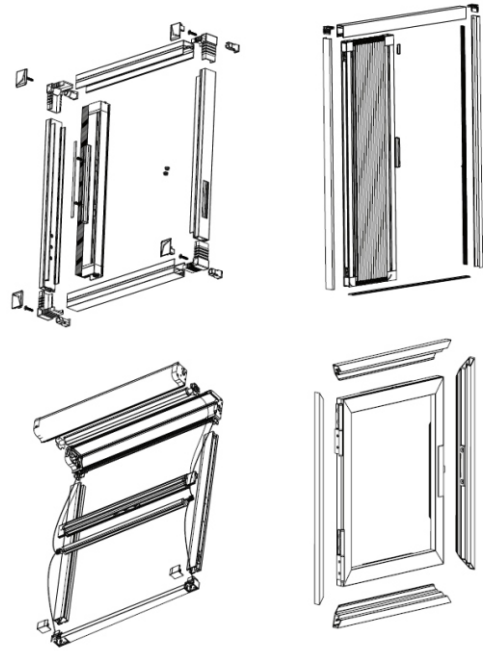
Pa66

Parts



Sufficient high-quality raw materials

Having excellent research and development design is far from enough. Presenting the design in physical form is a step closer. We use high-quality raw materials for spare parts, such as DuPont PA66 in the United States and BASF PA66 in Germany, and carry out modification and upgrading to ensure the comprehensive performance of flexibility, corrosion resistance, smoothness, and other aspects of spare parts, achieving excellent performance. Improve product quality and user experience.



Top priority - system development Strong R&D capabilities

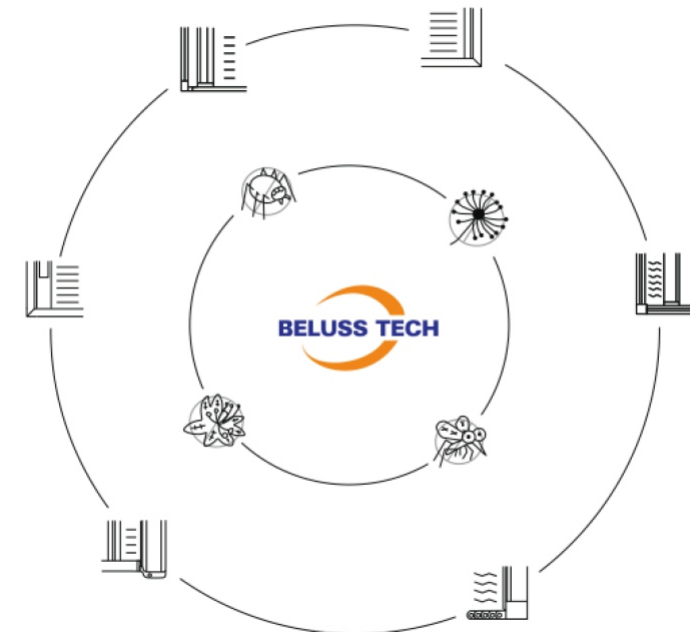
We believe that research and development design is the root cause of products being rooted in the market, and continuous innovation is also essential. It is the soul of the product. Unlike most products, we come up with creative ideas. Develop, produce, and sell products, rather than piecing together products. Almost all spare parts we design and manufacture everything ourselves, just to pursue uniqueness and excellence. Add systematic and reasonable products.

The Soul of a Product

Like engines for cars, spare parts are the core of the product.

Developing and designing accessories, ensuring their rationality and accuracy, is the soul.

Countless tests, sometimes just to reduce the pulling force of the product by 1 Newton.
Countless improvements, sometimes just to reduce product noise by 10 decibels.





Belüftung verschluss

Foshan Peike TECHNOLOGY CO.,LTD. 佛山沛科科技有限公司
liangbian,xiebian, Dali Town, Foshan 广东省佛山市南海区大沥谢边梁边工业区
www.belusstech.com

beluss@163.com

This material is translated by AI and there is an issue of inaccurate information.
If you have any questions, please consult your business manager.